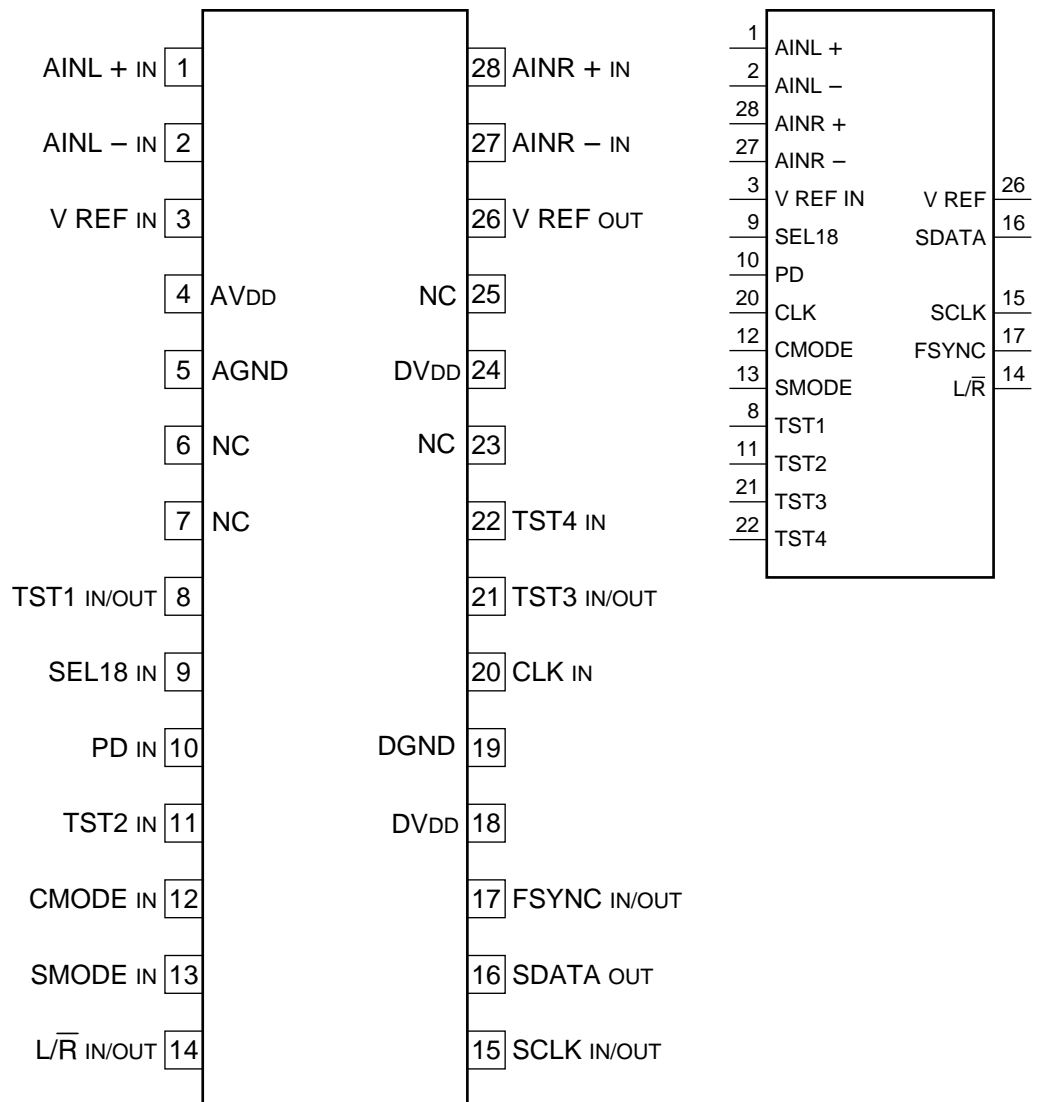


C-MOS 18-BIT 2 CHANNEL A/D CONVERTER

—TOP VIEW—



AVDD, AGND : FOR ANALOG BLOCK

DVDD, DGND : FOR DIGITAL BLOCK

INPUT

AINL +	; L-CH ANALOG POSITIVE INPUT
AINL -	; L-CH ANALOG NEGATIVE INPUT
AINR +	; R-CH ANALOG POSITIVE INPUT
AINR -	; R-CH ANALOG NEGATIVE INPUT
CLK	; MASTER CLOCK (CMODE = H : 384 fs) (CMODE = L : 256 fs)
CMODE	; MASTER CLOCK SELECT (L : CLK = 256 fs, 12.288 MHz @fs = 48 kHz) (H : CLK = 384 fs, 18.432 MHz @fs = 48 kHz)
PD	; POWER DOWN FOR DIGITAL SECTION
SEL 18	; 18/16 BIT SELECT (L : 16-BIT, H : 18-BIT)
SMODE	; INTERFACE CLOCK SELECT (L : SUB MODE) (H : MASTER MODE)
TST 2, 4	; TEST
V REF IN	; REFERENCE VOLTAGE

OUTPUT

SDATA	; SERIAL DATA
V REF	; REFERENCE VOLTAGE (-2.5V)

INPUT/OUTPUT

FSYNC	; FRAME SYNC CLOCK (SUB MODE : FSYNC INPUT) (MASTER MODE : FSYNC OUTPUT)
L/R	; INPUT CHANNEL SELECT (SUB MODE : fs CLK INPUT) (MASTER MODE : fs CLK OUTPUT)
SCLK	; SERIAL DATA CLOCK (SUB MODE : SCLK INPUT) (MASTER MODE : SCLK OUTPUT)
TST 1, 3	; TEST

